



Addendum No. 3
OSWWTP Phase 1 Replacement Project
Corolla, Currituck County, North Carolina
June 22, 2015

The following shall take precedence over the plans and specifications of the above named project and shall become part of the Contract Documents. Original items of the specifications, contract documents and information indicated on the drawings not herein modified, amended, voided or suspended shall remain in effect.

General

The following are questions posed by plan holders. The questions are in *italicized* text and the answers are in **bold** text.

1. *There are 11 chemical feed pumps and it looks like F.R. Mahony is only providing 10 pumps. Will the GC provide the Chlorine Feed Pump?*

There are a total of 11 chemical feed electronic metering pumps. Please note that the electronic metering pump tasked with dosing the chlorine should be one designed specifically to handle chlorine. FR Mahony & Associates, Inc., can supply all 11 pumps but bidders are not obligated to purchase all the plant equipment from FR Mahony & Associates, Inc. There are some pieces of equipment that are solely manufactured or supplied by FR Mahony and other pieces of equipment that can be derived from FR Mahony or from other sources.

2. *FR Mahony scope sheet has one poly tank for the Alkalinity. Will the remaining tanks be furnished with the chemicals?*

All chemical and chemical storage tanks will be provided by the owner prior to startup.

3. *Will the owner provide the chemicals at startup?*

All chemical and chemical storage tanks will be provided by the owner prior to startup.

4. *FR Mahony scope provides 3 safety wands. My count is 11. How many are required?*

Safety wands are required in all 11 of the chemical feed tanks.

5. *On sheet WW-18 and WW-25, where the SS pipe joins the SS Air Manifold / Header, is there a detail as to how you would like this to be joined or will F R Mahony have an adaptor as his scope of work?*

The FR Mahony supplied air manifold will terminate in a standard flange. The air supply line will tie into this flange with a matching flange piece to be supplied by the General Contractor.

6. *In the specifications Section 02741, Page 10, Section 3.05, Solids Removal Pumps- Clarifier calls for (2) ABS pumps Submersible. I see on the plans (2) Clarifier pumps by Penn Valley. Is this part of F R Mahony scope?*

Please reference the plans and specification section 02735 Pumps and Controls. The solids removal pumps are Penn Valley Double Disc pumps. The reference to the ABS submersible pumps is outdated and erroneous.

7. *At the South end of the EQ pumps in these tanks there is what looks to be a pipe with four vertical risers? What is this? It is not shown in any section.*

The item in question is the plan view of a stainless steel float bracket.

8. *Specs & supply of chlorine feed system on WW3. Info on shelf?*

Chlorine is added to the final discharge plumbing through the detailed connection port. Chlorine will be fed to the system by an electronic metering pump. The intake line for the metering pump will pass through the building wall and drop into a chlorine chemical storage drum located on the exterior of the building. The penetration through the wall will be water-tight. The shelf should be an 18 Gauge Stainless Steel shelf with a 6"D shelf and minimum of a 12" L.

9. *WW3 – Are the 3/8" chemical feed lines supposed to run in carrier pipes, on cable trays, or what? Are they supposed to be insulated?*

The 3/8" chemical feed lines are housed within 3/4" sch 80 pvc conduits.

10. *Do you have a brand, model #, or spec that you want for the 3" & 2" PVC air release valves?*

The air release valves examined during the design process were manufactured by Plast-

O-Matic Valves, Inc.

11. *The 8" flange ductile iron gate valves with hand wheel in the influent flow meter vault and the two vertical 8" valves in the headworks are these valves NRS or OS&Y?*

NRS

12. *Stainless Steel unpolished pipe & fittings. Do you want SCH 40 or SCH 10? Do you want 304SS or 316SS?*

Sch 40 and 316SS

13. *Do you have a written spec for the (8) 6" electrically actuated butterfly valves for the WWTP support building?*

There is no written specification for these valves.

14. *1" yard hydrant waterline pipe. Can we use 1" CTS blue service tubing instead of 1" PVC Sch 40 PVC solvent weld pipe?*

1" CTS blue service tubing is acceptable.

15. *For the 1" tap on the existing waterline for the 1" yard hydrant piping assembly do we need to supply a 1" water meter assembly? (1" setter with dual check, 1" water meter and meter box)?*

The site is currently metered and the water supply line is fitted with a backflow prevention assembly. Individual meters, dual checks and meter boxes will not be required for each yard hydrant/spigot assembly.

16. *Sheet WW26 – Detail on the portable decant pump assembly. How long do you want the 2" SCH40 flexible hose?*

20 feet

17. *Want to confirm that we need 6" wide detector tpe and green #12 tracer wire?*

Yes, 6" wide detector taps and #12 tracer wire are required.

18. *Do you want all of the PVC gate valves, PVC check valves and PVC plug valves to be PVC SCH 80 Material? For the o-rings/seat/seals EPDM or Viton?*

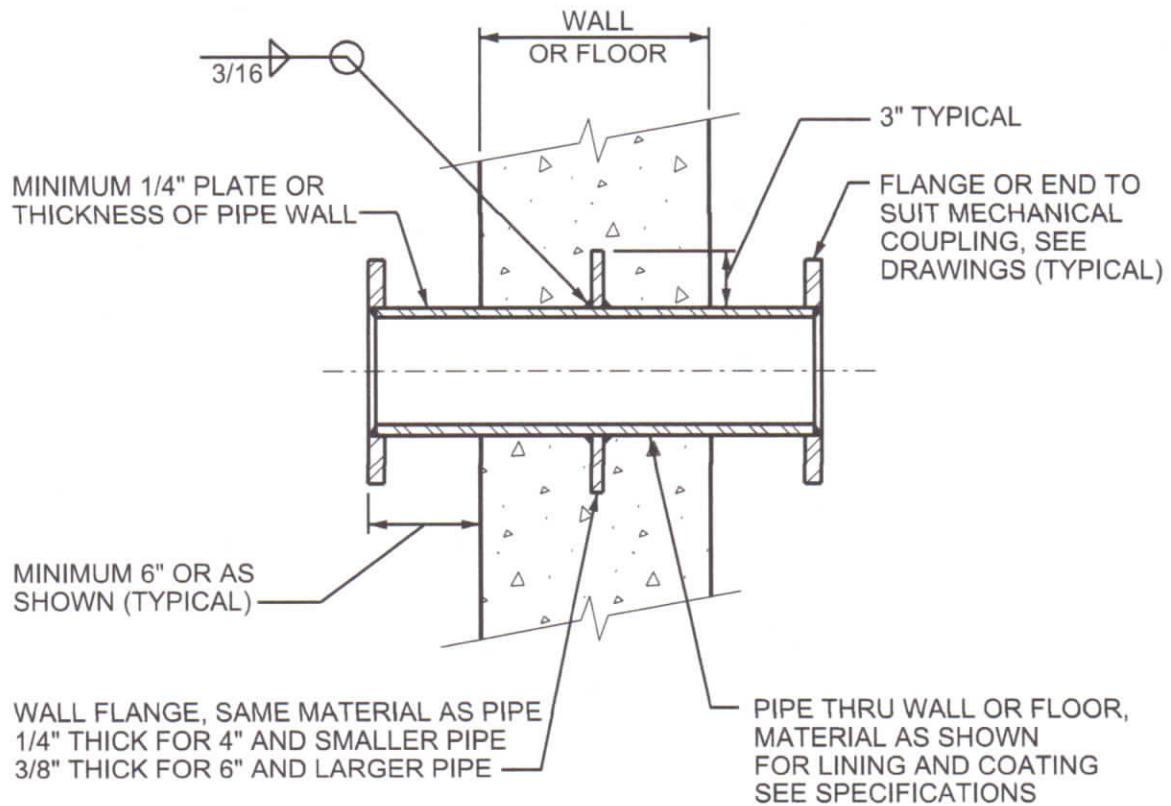
Yes, all valves shall be schedule 80 PVC. EPDM rings, seats and seals.

19. *The bolts & nuts for the flange packs. 304SS or 316SS?*

316SS

Plans

1. Please see the attached additional detail entitle “Pipe Penetrations Through Concrete Walls, AS-2” regarding pipe penetrations through the concrete body of the plant and headworks facility. All pipe penetrations below the normal or maximum working liquid volume within the plant will be installed according to this detail with a “water-stop” style thimble piece. Please note that all PVC pipe connections to these thimble pieces will be by matching flanges. In the case of PVC connections this connection can be achieved by Van Stone Flange PVC fittings.
2. Please note that the chemical feed pump responsible for dosing liquid chlorine to the final treated effluent stream must be a model with acrylic parts that are suited to handle chlorine.



NOTES:

1. WHERE CALLED OUT ALL METALLIC PARTS SHALL BE TYPE 316 SS
2. WALL REINF NOT SHOWN FOR CLARITY- MAINTAIN A 1" MIN CLEAR DISTANCE BETWEEN PIPE THIMBLE AND WALL REINF

FABRICATED PIPE THIMBLE
(ALL PIPE PENETRATIONS THROUGH CONCRETE WALLS)

